

Pallas[®]

Pollet Water Group

Pallas Cartridge





RED

Pretreatment in water treatment system



BLUE

Dechlorination and purification of drinking water



SILVER

Antibacterial, dechlorination and purification of drinking water



GOLD

Ultrafiltration of drinking water



ARSENIC

Cartridge for the removal of arsenic



NITRATES

Removal of nitrates in drinking water



PFAS

Removal of Perfluoroalkyls



ROCK

Remineralization of drinking water



ICE

Formation of a transparent and bright ice



OCRA

Water softening-controlled with strong cationic resin



VIOLET

Decarbonation with weak cationic resin & pH Control



LILAC

Decarbonation with weak cationic resin



YELLOW

Total demineralization

Pallas cartridges

The Pallas Cartridges are a unique range to improve the taste, odour, filtration or concentration of sediments in your water. Our passion for water resulted in these high-end single point-of-use filter cartridges. Each color represents a different kind of treatment. Choose your entry point (for instance under a sink) and with a simple installation, you just add the cartridge that suits your needs. Pallas PWG Filtration? An other clear vision on water!



What makes your Pallas cartridge unique?

- + Extensive range of cartridges
- + Pick your color, pick your solution
- + Easy & simple installation
- + Point-of-use device
- + Improves taste
- + Eliminates odour
- + Filters water
- + Reduces the concentrate of particular sediments

The modular cartridge heads

Thanks to 4 options, you can opt for the cartridge head that suits your needs the best:



Series Head



Parallel Head



Single Head



R Head



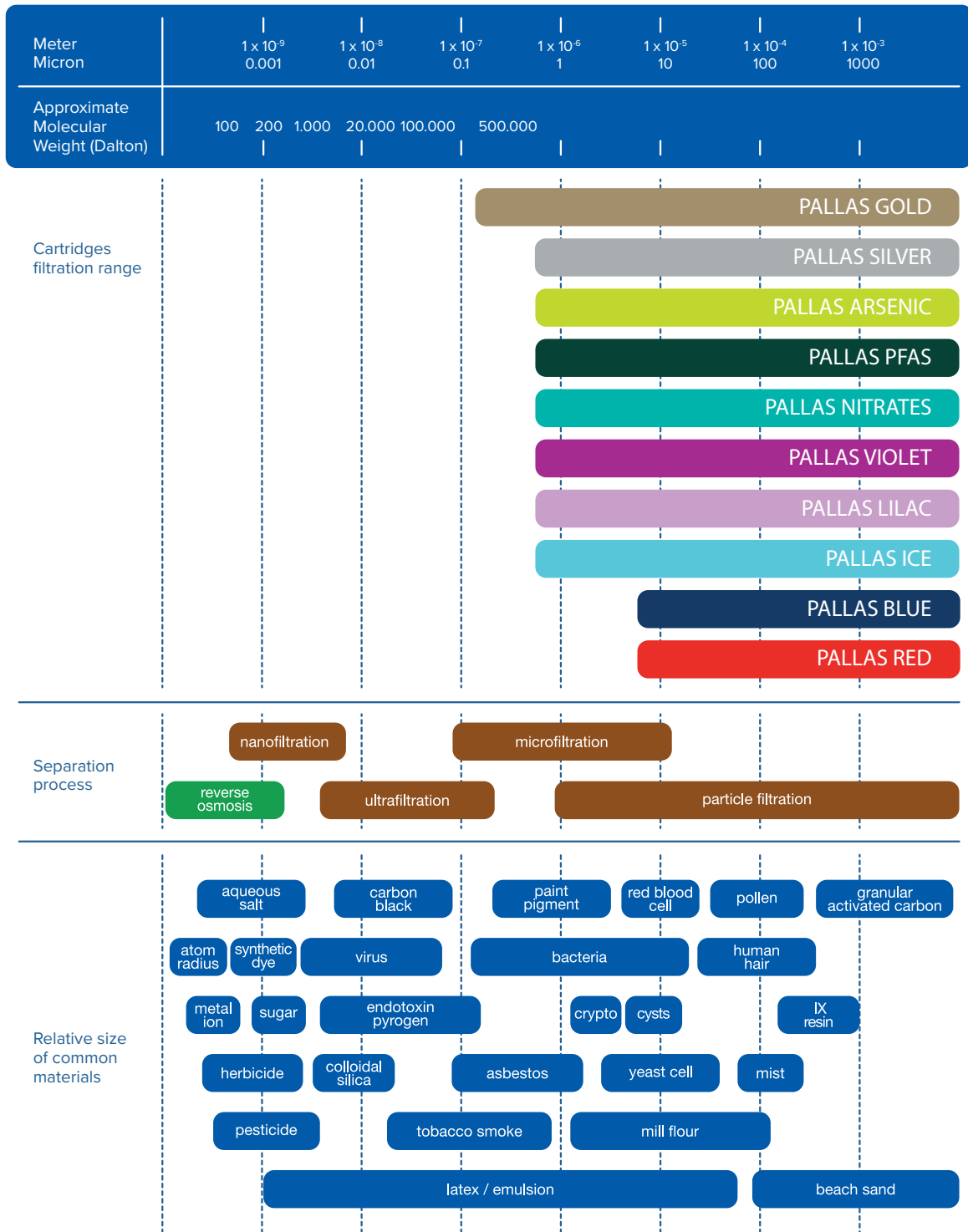
Pallas Cartridges

RED	8
BLUE	10
SILVER	12
GOLD	14
ARSENIC	16
NITRATE	18
PFAS	20
ROCK	22
ICE	24
OCRA	26
VIOLET	28
LILAC	30
YELLOW	32



Pallas[®]

Filtration Range



RED



professional use



beverages



Pallas PWG cartridges

*Prefiltration in systems
of water treatment*

Pallas PWG cartridge RED reduces turbidity as well as suspended particles with a filter rating of 5 µm. This is a quick-connect cartridge with extruded polypropylene. The first essential step to have clean drinking water.

- + Stop dirt and sand
- + Reduces water turbidity
- + Efficient by itself or as pre-treatment



Cartridges

Reference	Config.	Item Name	Price
1762010004	PWG-SMALL	Cartridge sediment RED - Small	
1762010004	PWG-MEDIUM	Cartridge sediment RED - Medium	
1762010004	PWG-LARGE	Cartridge sediment RED - Large	

General characteristics

Quick-connect disposable cartridge, filtration by "MELT BLOWN" extruded polypropylene, 5 microns filtration. Cartridge for sediment removal and for the drinking water clarification, thanks to the removal of turbidity and suspended particulates.

Materials

- Cartridge: polypropylene
- Filtration: extruded polypropylene made with "MELT BLOWN" technology: polypropylene microfibers heat-sealed without lubricants or anti-static additives; no migration of microfibers in water, large compatibility to the most common chemical solutions; multilayer structure with high water retention capacity and filtration efficiency; high retention capacity extends life of the cartridge.

Head

Standard

Installation

Upright or horizontal, as preferred. Bayonet fitting for Pallas PWG cartridges heads.

Use

Pre-filtration systems for drinking water treatment; pre-filtration for water treatment technical systems; its use is not allowed if the water quality is not known by analysis or microbiologically not controlled; its use is allowed if the water is declared drinkable.

Replacement

It's recommended to replace the cartridge at the end of its nominal range, or if the output flow is too slow. However, the cartridge must be replaced within 365 days from its installation. Before removing the cartridge, close the water inlet upstream valve and eliminate the pressure in the circuit by opening the tap. To activate the cartridge correctly, open the inlet valve and dispense water for at least five minutes before taking it for potable uses.

Inactivity

Short periods of inactivity: flushing of the cartridge is necessary; in case of prolonged disuse, it is possible to disinfect the system.

Environment

For the production of Pallas PWG cartridges filters, the environmental impact is close to 0. All Pallas PWG cartridges filters are BPA free.

* Dispose of the exhausted cartridge according to the 2014/955/EU Decision (EWC 15 02 03).



4 °C – 30 °C



2 bar – 6 bar

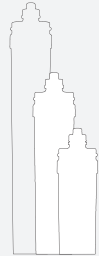
Dimensions

SMALL Ø 87,4 mm | h 270 mm

MEDIUM Ø 87,4 mm | h 385 mm

LARGE Ø 87,4 mm | h 530 mm

When installing and replacing the filter, consider the space required to remove the cartridge.



Technical specifications

SMALL flow rate: 3 l/min*
capacity: until clogging**

MEDIUM flow rate: 5 l/min*
capacity: until clogging**

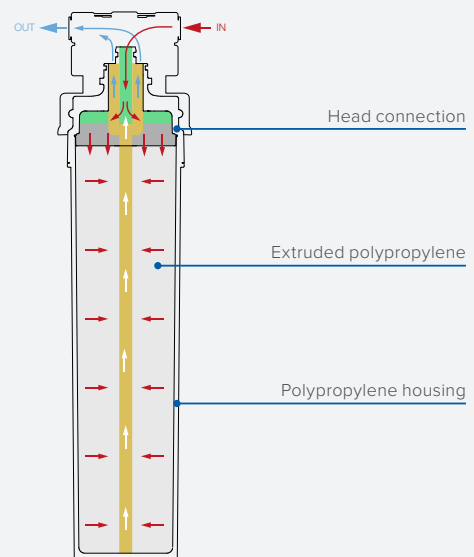
LARGE flow rate: 7 l/min*
capacity: until clogging**

* Capacities may vary based on incoming water and flow rates.

** Max Dp 2,5 bar.

Parameters

SMALL	MEDIUM	LARGE
until clogging	until clogging	until clogging
max Δp 2,5 bar (Depending on the quality of the incoming water).	max Δp 2,5 bar (Depending on the quality of the incoming water).	max Δp 2,5 bar (Depending on the quality of the incoming water).



BLUE



professional use



beverages



Pallas PWG cartridges

Drinking water dechlorination and clarification

Pallas PWG cartridge BLUE reduces and removes turbidity in water, chlorine, off-tastes and odours. 5 µm nominal filtration. It complies with Italian Ministerial Decree 25/2012.

- + Removes odours and off-tastes
- + Reduces chlorine
- + Reduces water turbidity
- + Reduces the organic macromolecules presence



Cartridges

Reference	Config.	Item Name	Price
1762010001	PWG-SMALL	Cartridge carbon block BLUE - Small	
1762010001	PWG-MEDIUM	Cartridge carbon block BLUE - Medium	
1762010001	PWG-LARGE	Cartridge carbon block BLUE - Large	

General characteristics

Quick-connect disposable cartridge with Carbon Block technology; filtration of 5 microns. Activated carbon filter for dechlorination and clarification of drinking water, according to EU Directive 98/83/EC. The filtration reduces chlorine content, organic compounds, odours/off-tastes from water.

Materials

- Cartridge: polypropylene
- Filtration: activated carbon technology: extruded Pallas PWG cartridges Carbon Block.

Head

Standard

Installation

Upright or horizontal, as preferred. Bayonet fitting for Pallas PWG cartridges heads.

Use

Pre-filtration for reverse osmosis or similar equipments. Its use is not allowed if the water quality is not known by analysis or microbiologically not controlled; its use is allowed if the water is declared drinkable.

Replacement

It's recommended to replace the cartridge at the end of its nominal range, or if the output flow is too slow. However, the cartridge must be replaced within 365 days from its installation. Before removing the cartridge, close the water inlet upstream valve and eliminate the pressure in the circuit by opening the tap. To activate the cartridge correctly, open the inlet valve and dispense water for at least five minutes before taking it for potable uses.

Inactivity

Short periods of inactivity: flushing of the cartridge is necessary; in case of prolonged disuse, it is possible to disinfect the system.

Environment

For the production of Pallas PWG cartridges filters, the environmental impact is close to 0. All Pallas PWG cartridges filters are BPA free.

* Dispose of the exhausted cartridge according to the 2014/955/EU Decision (EWC 15 02 03).



4 °C – 30 °C



2 bar – 6 bar

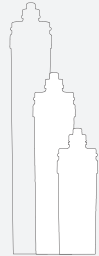
Dimensions

SMALL Ø 87,4 mm | h 270 mm

MEDIUM Ø 87,4 mm | h 385 mm

LARGE Ø 87,4 mm | h 530 mm

When installing and replacing the filter, consider the space required to remove the cartridge.



Technical specifications

SMALL flow rate: 3 l/min*
capacity: 15.000 l*

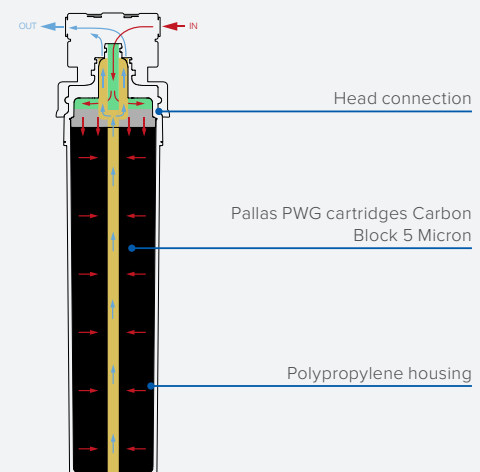
MEDIUM flow rate: 5 l/min*
capacity: 24.000 l*

LARGE flow rate: 7 l/min*
capacity: 45.000 l*

* Capacities may vary based on incoming water and flow rates.

Parameters

PARAMETER	EU DIRECTIVE 98/83	TESTING WATER QUALITY	TREATED WATER QUALITY
Iron	0,20 mg/l	≥ 0,15 / ≤ 0,17 mg/l	≥ 0,106 / ≤ 0,166 mg/l
Chloride	250 mg/l	min. 0,62 mg/l max 1,06 mg/l	min. 0,60 mg/l max 0,99 mg/l
pH	≥ 6,5 and ≤ 9,5	average 8,22	average 8,33
Conductivity	2500 µS/cm-1 20 °C	average 383	average 355
Manganese	≤ 0,05 mg/l	0.0004 mg/l	0.0001 mg/l



SILVER



professional use



beverages



Pallas PWG cartridges

*Microfiltration taste
& odour removal*

Pallas PWG cartridge SILVER removes bad odours and off-tastes, reduces chlorine, and has a filter rating of 0.5 µm. The cartridge is produced using Carbon Block technology enriched with SILVER ions to give bacteriostatic feature to the filter. It complies with Italian Ministerial Decree 25/2012.

- + Removes odours and off-tastes
- + Reduces chlorine
- + Guarantees a bacteriostatic action
- + Reduces the organic macromolecules presence



Cartridges

Reference	Config.	Item Name	Price
1762010002	PWG-SMALL	Cartridge carbon block SILVER - Small	
1762010002	PWG-MEDIUM	Cartridge carbon block SILVER - Medium	
1762010002	PWG-LARGE	Cartridge carbon block SILVER - Large	

General characteristics

Quick-connect disposable cartridge with SILVER ions technology; 0,5 micron filtration. Activated carbon filter for dechlorination and clarifying of drinking water. The filtration reduces chlorine content, organic compounds, odors/off-tastes from water. Thanks to the presence of SILVER ions, the antibacterial action downstream of the treatment system is guaranteed. Pallas PWG cartridges SILVER has been certified by TIFQ LAB, and complies with the high quality standards required by Italian law with regarding to the treatment systems of drinking water. Lab tests were conducted by simulating domestic use, also referring to long periods of inactivity of the

system.

For this information, you can consult the report of the reference laboratory, which presents the quality data that make SILVER cartridge become certified.

Materials

- Cartridge: polypropylene
- Filtration: activated carbon technology: extruded Pallas PWG cartridges Carbon Block.



4 °C – 30 °C



2 bar – 6 bar

Head

Standard

Installation

Upright or horizontal, as preferred with the help of support clip. Bayonet fitting for Pallas PWG cartridges heads. Before removing the cartridge, close the inlet water valve and remove the pressure in the circuit by opening the downstream tap. Turn the empty cartridge by 90° clockwise, then remove the cartridge from the head. Insert the new cartridge, after removing the protective cap, and turn it 90° anticlockwise. Open the inlet valve and supply water for at least 5 minutes to activate the new cartridge. After brief periods of inactivity, supply water before drinking it. In the case of prolonged disuse, disinfect the system.

Use

Filtration for household systems for treatment of drinking water.

Replacement

It's recommended to replace the cartridge at the end of its nominal range, or if the output flow is too slow. However, the cartridge must be replaced within 365 days from its installation. Before removing the cartridge, close the water inlet upstream valve and eliminate the pressure in the circuit by opening the tap. To activate the cartridge correctly, open the inlet valve and dispense water for at least five minutes before taking it for potable uses.

Inactivity

Short periods of inactivity: flushing of the cartridge is necessary; in case of prolonged disuse, it is possible to disinfect the system.

Environment

For the production of Pallas PWG cartridges filters, the environmental impact is close to 0. All Pallas PWG cartridges filters are BPA free.

* Dispose of the exhausted cartridge according to the 2014/955/EU Decision (EWC 15 02 03).

Dimensions

SMALL Ø 87,4 mm | h 270 mm

MEDIUM Ø 87,4 mm | h 385 mm

LARGE Ø 87,4 mm | h 530 mm

When installing and replacing the filter, consider the space required to remove the cartridge.



Technical specifications

SMALL flow rate: 3 l/min*
capacity: 15.000 l*

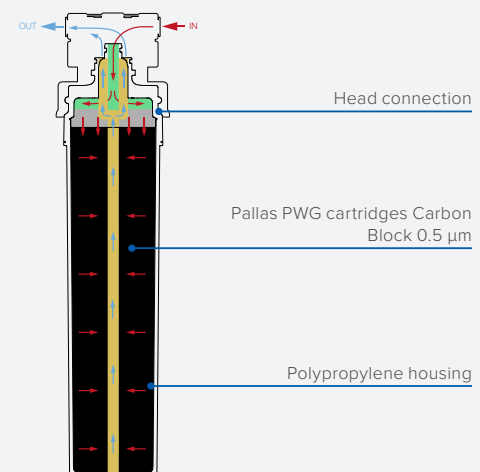
MEDIUM flow rate: 5 l/min*
capacity: 24.000 l*

LARGE flow rate: 7 l/min*
capacity: 45.000 l*

* Capacities may vary based on incoming water and flow rates.
* Gold Ultra Filtration hollow fibers are sensitive for clogging in application with lower inlet water quality and old pipe systems.

Parameters

PARAMETER	EU DIRECTIVE 98/83	TESTING WATER QUALITY	TREATED WATER QUALITY	NOTE
Iron (mg/L)	0,20	≥ 0,15 and ≤ 0,17	≥ 0,0003 and ≤ 0,005	
pH	≥ 6,5 and ≤ 9,5	≥ 8,2 and ≤ 8,3	* S ≥ 8,2 and ≤ 8,3 mg/l * M ≥ 8,9 and ≤ 8,2 mg/l	
Solphate	≤ 250 mg/L	≥ 291 and ≤ 30,6 mg/l	* S ≥ 23,9 and ≤ 28,1 mg/l * M ≥ 17,3 and ≤ 21,1 mg/l	
Bacteria growth 22°C - 37°C	No abnormal change	No abnormal change	No abnormal change	Check after 60 days of non-use
Active Chlorine	0,20 mg/l * M 2 mg/l (Indic. NSF 42)	≥ 0,09 e ≤ 0,12	≥ 0,02 e ≤ 0,04	85% reduction
Aluminum (mg/L)	0,20	≥ 0,006 and ≤ 0,012	≥ 0,0004 and ≤ 0,002	
Conductivity	2500 µScm - 2°C	≥ 276 and ≤ 328	≥ 272 and ≤ 335	
Hardness	15 - 50 °F	≥ 15,3 and ≤ 15,9°F	≥ 13,5 and ≤ 16,3 °F	



GOLD



professional use



beverages



Pallas PWG cartridges

Ultrafiltration for drinking water

Pallas PWG cartridge GOLD is the certainty for drinking water. 0.1 µm filtration and Carbon Block technology added with silver ions combined with an ultrafiltration stage that prevents the passage of 99.9999% of bacteria. It complies with Italian Ministerial Decree 25/2012.

- + Removes odours and off-tastes
- + Reduces chlorine
- + Prevents passage of 99.9999% of bacteria
- + Reduces the organic macromolecules presence



Cartridges

Reference	Config.	Item Name	Price
1762010003	PWG-SMALL	Cartridge GOLD with carbon block - Small	
1762010003	PWG-MEDIUM	Cartridge GOLD with carbon block - Medium	
1762010003	PWG-LARGE	Cartridge GOLD with carbon block - Large	

General characteristics

Quick-connect disposable cartridge with silver ions technology and with hollow fiber 0.1 micron ultrafiltration final phase. Activated carbon filter for dechlorination and clarifying drinking water. The filter reduces chlorine content, organic compounds, odors / off-tastes from the water. Thanks to the presence of silver ions, the antibacterial action downstream of the treatment system is guaranteed. Moreover, the ultrafiltration blocks the passage of 99.9999% of bacteria and viruses. Pallas PWG cartridges GOLD has been certified by TIFQ LAB, and complies with the high quality standards required by Italian law with regarding to the treatment plants of drinking water. Lab tests were conducted by simulating domestic use, also referring to long periods of inactivity of the

system. For this information, you can consult the report of the reference laboratory, which presents the data quality that make the GOLD cartridge become certified.

Materials

- Cartridge: polypropylene
- Filtration: technology with extruded "Pallas PWG cartridges Carbon Block" activated carbon with silver ions and hollow fiber ultra filtration 0.1 micron phase.

Head

Standard

Installation

Upright or horizontal, as preferred with the help of support clip. Bayonet fitting for Pallas PWG cartridges heads. Before removing the cartridge, close the inlet water valve and remove the pressure in the circuit by opening the downstream tap. Turn the empty cartridge by 90 ° clockwise, then remove the cartridge from the head. Insert the new cartridge, after removing the protective cap, and turn it 90° anticlockwise. Open the inlet valve and supply water for at least 5 minutes to activate the new cartridge. After brief periods of inactivity, supply water before drinking it. In the event of prolonged disuse, disinfect the system.

Use

USE Filtration for household systems for treatment of drinking water.

Replacement

It's recommended to replace the cartridge at the end of its nominal range, or if the output flow is too slow. However, the cartridge must be replaced within 365 days from its installation. Before removing the cartridge, close the water inlet upstream valve and eliminate the pressure in the circuit by opening the tap. To activate the cartridge correctly, open the inlet valve and dispense water for at least five minutes before taking it for potable uses.

Inactivity

Short periods of inactivity: flushing of the cartridge is necessary; in case of prolonged disuse, it is possible to disinfect the system.

Environment

For the production of Pallas PWG cartridges filters, the environmental impact is close to 0. All Pallas PWG cartridges filters are BPA free.

* Dispose of the exhausted cartridge according to the 2014/955/EU Decision (EWC 15 02 03).



4 °C – 30 °C



2 bar – 6 bar

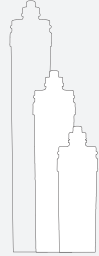
Dimensions

SMALL Ø 87,4 mm | h 270 mm

MEDIUM Ø 87,4 mm | h 385 mm

LARGE Ø 87,4 mm | h 530 mm

When installing and replacing the filter, consider the space required to remove the cartridge.



Technical specifications

SMALL flow rate: 3 l/min*
capacity: 7.000 l*

MEDIUM flow rate: 5 l/min*
capacity: 10.000 l*

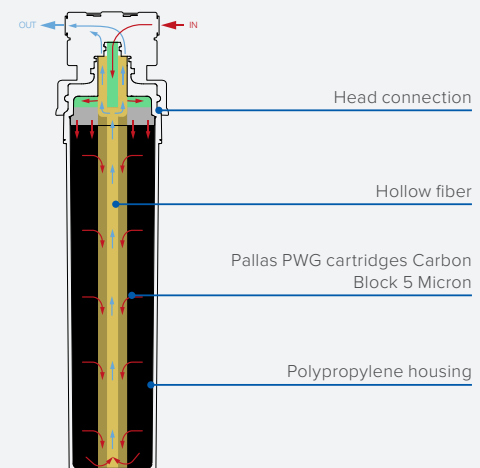
LARGE flow rate: 7 l/min*
capacity: 15.000 l*

* Capacities may vary based on incoming water and flow rates.

* Gold Ultra Filtration hollow fibers are sensitive for clogging in in application with lower inlet water quality and old pipe systems.

Parameters

PARAMETER	EU DIRECTIVE 98/83	TESTING WATER QUALITY	TREATED WATER QUALITY
Iron	0,20 mg/l	≥ 0,15 / ≤ 0,17 mg/l	≥ 0,106 / ≤ 0,166 mg/l
Nitrate	50 mg/l	≥ 0,51 / ≤ 0,57 mg/l	0 mg/l
Hardness	≤ 50 °f	≥ 19,0 °f ≥	11,5 / ≤ 16,3 °f
Bacteria growth 22°C and 37°C	No abnormal change	No abnormal change	No abnormal change Check after 60 days of no use
Active Chlorine	0,20 mg/l M 2 mg/l (Indic. NSF 42)	2,00 mg/l	≥ 0,12 / ≤ 0,21 mg/l



ARSENIC



beverages



technological
uses



Pallas PWG cartridges

Filter for arsenic removal

Pallas PWG cartridge ARSENIC reduces the concentration of arsenic. Selective arsenic resin and final filtration stage at 0.5 μm with Carbon Block technology added with silver ions for bacteriostatic action. To be used with arsenic concentration up to 50 $\mu\text{g/l}$.

- + Removes odours and off-tastes and reduces chlorine
- + Guarantees a bacteriostatic action
- + Reduces concentration of arsenic



Cartridges

Reference	Config.	Item Name	Price
1762010008	PWG-SMALL	Cartridge ARSENIC w/carbon block - Small	
1762010008	PWG-MEDIUM	Cartridge ARSENIC w/carbon block - Medium	
1762010008	PWG-LARGE	Cartridge ARSENIC w/carbon block - Large	

General characteristics

Quick-connect disposable cartridge for the treatment of drinking water that exceeded in the limit of arsenic ($> 10 \text{ g/l}$; $< 50 \text{ g/l}$). Last phase of filtration obtained with Carbon Block technology mixed with silver ions with a filtration of 0.5 microns. If the cartridge is used in equipment related to the food sector, the system must meet the requirements laid down by European Community Directive 178/2002.

Materials

- Cartridge: polypropylene
- Two steps Filtration
 1. Macroporous resin loaded with iron hydroxide for adsorption of arsenic (see Lewatit FO36 technical sheet) mixed with granular activated carbon (GAC).
 2. Carbon Block technology mixed with silver ions. The resin meets the NFS 61 and WRAS standards.

Composite structure filter for treatment of drinking water notwithstanding the current regulations regarding Arsenic parameter (as AS V as As III).

Head

"R" head with flow regulator. This type of is head is necessary because the chemical reactions of ionic exchange that must take place inside the filter cartridge needs an appropriate time to act. The head must be dimensioned according to the size of the cartridge.

Installation

Upricht

Use

Filtration for household systems for treatment of drinking water notwithstanding the current regulations regarding Arsenic parameter.

Replacement

It's recommended to replace the cartridge at the end of its nominal range, or if the output flow is too slow. However, the cartridge must be replaced within 365 days from its installation. Before removing the cartridge, close the water inlet upstream valve and eliminate the pressure in the circuit by opening the tap. To activate the cartridge correctly, open the inlet valve and dispense water for at least five minutes before taking it for potable uses.

Inactivity

Short periods of inactivity: flushing of the cartridge is necessary; in case of prolonged disuse, it is possible to disinfect the system.

Environment

For the production of Pallas PWG cartridges filters, the environmental impact is close to 0.

* Dispose of the exhausted cartridge according to the 2014/955/EU Decision (EWC 15 02 03).



4 °C – 30 °C



2 bar – 6 bar

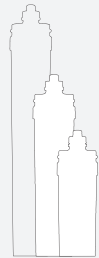
Dimensions

SMALL Ø 87,4 mm | h 270 mm

MEDIUM Ø 87,4 mm | h 385 mm

LARGE Ø 87,4 mm | h 530 mm

When installing and replacing the filter, consider the space required to remove the cartridge.



Technical specifications

SMALL flow rate: 1 l/min*
capacity: 10.000 l*

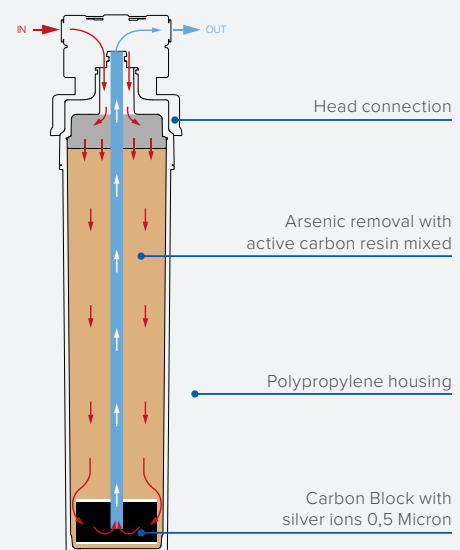
MEDIUM flow rate: 1,5 l/min*
capacity: 15.000 l*

LARGE flow rate: 2 l/min*
capacity: 20.000 l*

* Flow rates and autonomy calculated with concentrations of 50 µg / l of arsenic. Exchange capacities may vary based on arsenic concentrations of incoming water and flow rates.

Parameters

	BEFORE	AFTER
pH	7,42	7,35
Arsenic mg/l	3,1	Not detected
Iron mg/l	3,3	3,0



NITRATE



professional use



beverages



Pallas PWG cartridges

Filter for Nitrate removal

Pallas PWG cartridge NITRATE reduces the concentration of nitrates. Selective nitrate resin and final filtration stage at 0.5 μm with Carbon Block technology added with silver ions for bacteriostatic action. To be used with nitrates concentration up to 50 mg/l.

- + Removes odours and off-tastes and reduces chlorine
- + Guarantees a bacteriostatic action
- + Reduces concentration of nitrates



Cartridges

Reference	Config.	Item Name	Price
1762010009	PWG-SMALL	Cartridge NITRATES - Small	
1762010009	PWG-MEDIUM	Cartridge NITRATES - Medium	
1762010009	PWG-LARGE	Cartridge NITRATES - Large	

General characteristics

Quick-connect disposable cartridge for the treatment of drinking water with a high concentration of nitrates. Last phase of filtration is obtained by Carbon Block technology mixed with silver ions, filtration of 0,5 microns. This cartridge is to be used when drinking water has a nitrate concentration between 50 and 100 mg/l.

Materials

- Cartridge: polypropylene
- Two steps Filtration
 1. strong anion adsorption macroporous nitrate-selective resin mixed with granular active carbon;
 2. Carbon Block technology mixed with silver ions.

Head

"R" head with flow regulator. This type of head is necessary because the chemical reactions of ionic exchange that must take place inside the filter cartridge needs an appropriate time to act. The head must be dimensioned according to the size of the cartridge.

Installation

Upright

Use

Treatment of drinking water.

Replacement

It's recommended to replace the cartridge at the end of its nominal range, or if the output flow is too slow. However, the cartridge must be replaced within 365 days from its installation. Before removing the cartridge, close the water inlet upstream valve and eliminate the pressure in the circuit by opening the tap. To activate the cartridge correctly, open the inlet valve and dispense water for at least five minutes before taking it for potable uses.

Inactivity

Short periods of inactivity: flushing of the cartridge is necessary; in case of prolonged disuse, it is possible to disinfect the system.

Environment

For the production of Pallas PWG cartridges filters, the environmental impact is close to 0. All Pallas PWG cartridges filters are BPA free.

* Dispose of the exhausted cartridge according to the 2014/955/EU Decision (EWC 15 02 03).



4 °C – 30 °C



2 bar – 6 bar

Dimensions

SMALL Ø 87,4 mm | h 270 mm

MEDIUM Ø 87,4 mm | h 385 mm

LARGE Ø 87,4 mm | h 530 mm

When installing and replacing the filter, consider the space required to remove the cartridge.



Technical specifications

SMALL flow rate: 1 l/min*
capacity: 900 l*

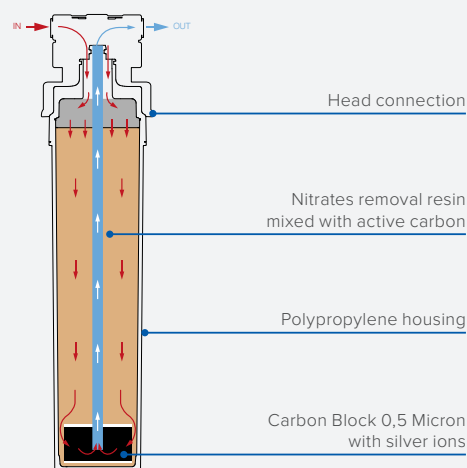
MEDIUM flow rate: 1,5 l/min*
capacity: 1.400 l*

LARGE flow rate: 2 l/min*
capacity: 2.200 l*

* Flow rates and calculated autonomies with concentrations of 60 mg / l of nitrates. The exchange capacities may vary depending on the nitrate concentrations of the incoming water and the flow rates.

Parameters

	BEFORE	AFTER
pH	8,10	8,10
Sulphate mg/l	3,1	29,0
Nitrates mg/l	38	4,8
Iron mg/l	3,2	3,0



PFAS



professional use



beverages



Pallas PWG cartridges

*Domestic filtration
which removes the PFAS*

Pallas PWG cartridge PFAS removes Perfluorocarbons PFCs and bad odours and off-tastes in drinking water. Perfluorocarbons PFCs selective resin, with Pallas PWG cartridges Carbon Block 0.5 µm final stage filtration enriched with a silver ions to give a bacteriostatic feature. Used for drinking water with maximum 500 ng/l Pfas concentration.

- + Removes odours and off-tastes and reduces chlorine
- + Guarantees a bacteriostatic action
- + Reduces concentration of pfas



Cartridges

Reference	Config.	Item Name	Price
1762010013	PWG-2xMEDI	Cartridge PFAS - Medium	
1762010013	PWG-LARGE	Cartridge PFAS - Large	

General characteristics

It is a disposable cartridge with Perfluorocarbons Pfas selective resin for the treatment of drinking water. The quick-connect Pallas PWG cartridges has a final 0.5 filtration stage and Pallas PWG cartridges Carbon Block technology mixed with silver ions, filtration of 0,5microns.



4 °C – 30 °C



2 bar – 6 bar

Head

“R” head with flow regulator. This type of head is necessary because the chemical reactions of ionic exchange that must take place inside the filter cartridge needs an appropriate time to act. The head must be dimensioned according to the size of the cartridge.

Installation

Upright

Use

To be used at point of use, for drinking water with lesser than 500 ng/l Pfas concentration.

Replacement

It's recommended to replace the cartridge at the end of its nominal range, or if the output flow is too slow. However, the cartridge must be replaced within 365 days from its installation. Before removing the cartridge, close the water inlet upstream valve and eliminate the pressure in the circuit by opening the tap. To activate the cartridge correctly, open the inlet valve and dispense water for at least five minutes before taking it for potable uses.

Inactivity

Short periods of inactivity: flushing of the cartridge is necessary; in case of prolonged disuse, it is possible to disinfect the system.

Environment

For the production of Pallas PWG cartridges filters, the environmental impact is close to 0. All Pallas PWG cartridges filters are BPA free.

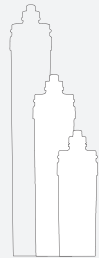
* Dispose of the exhausted cartridge according to the 2014/955/EU Decision (EWC 15 02 03).

Dimensions

MEDIUM Ø 87,4 mm | h 385 mm

LARGE Ø 87,4 mm | h 530 mm

When installing and replacing the filter, consider the space required to remove the cartridge.



Technical specifications

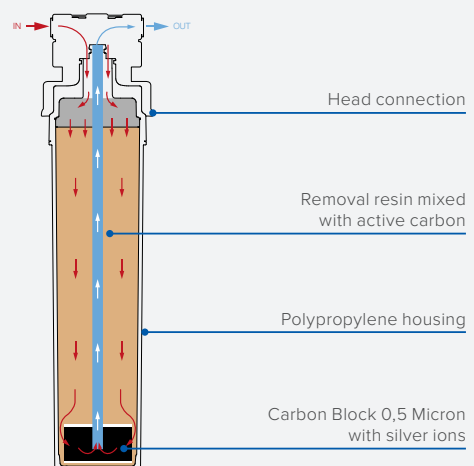
MEDIUM flow rate: 2 l/min*
capacity: 11.000 l

LARGE flow rate: 2 l/min*
capacity: 11.000 l

* Capacities may vary based on incoming water and flow rates.

Parameters

PARAMETER	NORMATIVE REFERENCE D.LGS. 31/2001	NOT TREATED WATER	TREATED WATER
Pfas	-	250 ng/l	0,0 ng/l
Aluminium	≤ 0,20 mg/l	≥ 0,006 / ≤ 0,012 mg/l	≥ 0,004 / ≤ 0,002 mg/l
Ammonium (NH4)	0,50 mg/l	0,00 mg/l	0,0 mg/l
pH	≥ 6,5 and ≤ 9,5	≥ 8,2 and ≤ 8,3	≥ 8,1 / ≤ 8,4 mg/l
Iron	≤ 0,20 mg/l	≥ 0,15 / ≤ 0,17 mg/l	≥ 0,003 / ≤ 0,005 mg/l
Pseudomonas aeruginosa	0 UFC / 250 ml	0 UFC / 250 ml	0 UFC / 250 ml
Sulphate	≤ 250 mg/l	≥ 29,1 and ≤ 30,5 mg/l	≥ 23,9 / ≤ 28,1 mg/l
Bacteria growth 22°C/37°C	0 UFC / 250 ml	--	Without abnormal changes
Coliform bacteria 37°C	0 UFC / 250 ml	0 UFC / 250 ml	0 UFC / 250 ml
Activated Chlorine	0,20 mg/l	≥ 0,09 / ≤ 0,12 mg/l	≥ 0,02 / ≤ 0,04 mg/l





Pallas PWG cartridges

Remineralisation for drinking water

Pallas PWG cartridge ROCK remineralizes water. It can be used in many food applications (for example for the preparation of drinks) and as a post filter in reverse osmosis systems. PWG ROCK increases the pH in water, bringing it back to basic range.

- + Remineralizing action
- + Bring pH back to basic range



Cartridges

Reference	Config.	Item Name	Price
1762010010	PWG-SMALL	Cartridge ROCK remineralization - Small	
1762010010	PWG-MEDIUM	Cartridge ROCK remineralization - Medium	
1762010010	PWG-LARGE	Cartridge ROCK remineralization - Large	

General characteristics

Disposable quick-connection cartridge dedicated to the remineralization of low-salinity water produced for example by a reverse osmosis system. The special formulation of the media allows remineralization keeping the pH within the limits established by Italian Legislative Decree 31/2001. Cartridge in compliance with Italian DM25/12 concerning the Italian DM174/2004 and Italian D.Lgs.31/2001.

Materials

- Cartridge: polypropylene
- Filtration: filtration through remineralizing media, Kiwa certification.



4 °C – 30 °C



2 bar – 6 bar

Head

In any case use the R type head without flow regulator.

Installation

Standard

Use

Domestic and industrial sector of post-treatment of osmosis systems, sector of machines for coffee production, sector of equipments for beverage preparation or similar.

Replacement

It's recommend to replace the cartridge at the end of its nominal range, or if the output flow is too slow. However, the cartridge must be replaced within 365 days from its installation. Before removing the remineralizing cartridge, close the water inlet upstream valve and eliminate the pressure in the circuit by opening the tap. To activate the cartridge correctly, open the inlet valve and dispense water for at least five minutes before taking it for potable uses.

Inactivity

Short periods of inactivity: flushing of the cartridge is always necessary. It is advisable to supply water for at least 1 at most 2 minutes before the new use.

Environment

For the production of Pallas PWG cartridges filters, the environmental impact is close to 0. All Pallas PWG cartridges filters are BPA free.

* Dispose of the exhausted cartridge according to the 2014/955/EU Decision (EWC 15 02 03).

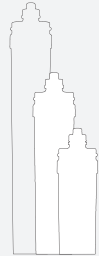
Dimensions

SMALL Ø 87,4 mm | h 270 mm

MEDIUM Ø 87,4 mm | h 385 mm

LARGE Ø 87,4 mm | h 530 mm

When installing and replacing the filter, consider the space required to remove the cartridge.



Technical specifications

SMALL flow rate: 2 l/min*
capacity: 10.000 l*

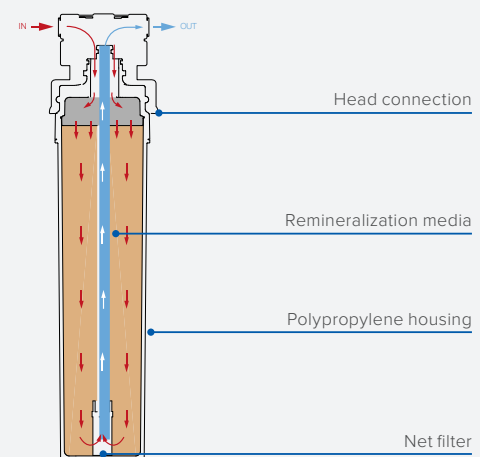
MEDIUM flow rate: 3,7 l/min*
capacity: 16.000 l*

LARGE flow rate: 5 l/min*
capacity: 25.000 l*

* Capacities may vary based on incoming water and flow rates.

Parameters

CONDUCTIVITY (MS)		PH	
IN	OUT	IN	OUT
20	90	6,5	9





Pallas PWG cartridges

Brighting ICE with bacteriostatic dechlorative action and limescale reduction

Pallas PWG cartridge ICE for brighting ice. It has a first filtration and adsorbent stage made by a 0.5 µm Pallas PWG cartridges Carbon Block technology, that eliminates unpleasant odours and tastes and a bacteriostatic action through silver ions. An antilimescale final stage provides protection against limescale precipitation even at low temperatures as in ice production systems.

- + Limescale protection and brilliant ice
- + Removes odours, off-tastes and chlorine
- + Bacteriostatic action



Cartridges

Reference	Config.	Item Name	Price
1762010011	PWG-SMALL	Cartridge ICE carbon block - Small	
1762010011	PWG-MEDIUM	Cartridge ICE carbon block - Medium	
1762010011	PWG-LARGE	Cartridge ICE carbon block - Large	

General characteristics

Activated carbon cartridge for dechlorination and clarification of drinking water. Quick-connect disposable cartridge, with filtration by Carbon Block with silver ions technology; 0,5 micron filtration. Pallas PWG cartridges ICE removes turbidity above 0.5 µm, reducing chlorocompounds, flavors and odors; with a neutralization action that prevents limescale precipitation in drinking water. The presence of silver ions guarantee the bacteriostatic action.

Materials

Technopolymer cartridge according to the provisions of the DM25/12 concerning the DM174/2004 and Legislative Decree 31/2001.

Head

"R" head with flow regulator. The head must be dimensioned according to the size of the cartridge.

Installation

Vertical position

Use

Stage of refining of drinking water for ice production.

Replacement

It's recommended to replace the cartridge at the end of its nominal range, or if the output flow is too slow. However, the cartridge must be replaced within 365 days from its installation. Before removing the cartridge, close the water inlet upstream valve and eliminate the pressure in the circuit by opening the tap. To activate the cartridge correctly, open the inlet valve and dispense water for at least five minutes before taking it for potable uses.

Inactivity

Short periods of inactivity: flushing of the cartridge is necessary; in case of prolonged disuse, it is possible to disinfect the system.

Environment

For the production of Pallas PWG cartridges filters, the environmental impact is close to 0. All Pallas PWG cartridges filters are BPA free.

* Dispose of the exhausted cartridge according to the 2014/955/EU Decision (EWC 15 02 03).



4 °C – 30 °C



2 bar – 6 bar

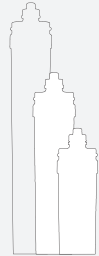
Dimensions

SMALL Ø 87,4 mm l h 270 mm

MEDIUM Ø 87,4 mm l h 385 mm

LARGE Ø 87,4 mm l h 530 mm

When installing and replacing the filter, consider the space required to remove the cartridge.



Technical specifications

SMALL flow rate: 1,5 l/min*
capacity: 10.000 l* *

MEDIUM flow rate: 2,5 l/min*
capacity: 22.000 l* *

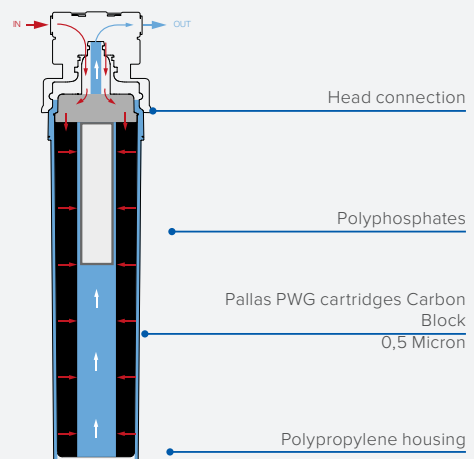
LARGE flow rate: 3,5 l/min*
capacity: 30.000 l* *

* Capacities may vary based on incoming water and flow rates.

** Production may vary depending on the quality of the incoming water. With reference to the lifetime of the Pallas PWG cartridges ICE Large cartridge, internal tests have shown a range of 45000 l.

Parameters

PARAMETER	REF. REGULATION D.LGS. 31/2012	TESTING WATER QUALITY	TREATED WATER QUALITY	NOTE
Ammonium (NH4)	≤0,50 mg/l	0,00 mg/l	0,00 mg/l	
pH	≥ 6,5 and ≤ 9,5	≥ 7,6 and ≤ 7,9	≥ 7,7 and ≤ 8,3	
PO43	-	≥ 0,04 mg/l ≤ 0,07 mg/l	≥ 0,2 mg/l ≤ 0,9 mg/l	
Bacteria growth 22°C - 37°C	No abnormal change	No abnormal change	No abnormal change	Check after 60 days of no use
Active Chlorine	0,20 mg/l M 2 mg/l (Indic. NSF 42)	0,00 mg/l	0,00 mg/l	85% Reduction





Pallas PWG cartridges

Total hardness reduction and microfiltration

Pallas PWG cartridge OCRA is total water softening thanks to a special resin. Suitable for hotels, restaurants and coffee bars. OCRA offers limescale protection.

- + Fixed bypass of approx. 25%
- + Reduces total hardness



Cartridges

Reference	Config.	Item Name	Price
1762010006	PWG-SMALL	Cartridge OCRA strong cation gel resin - Small	
1762010006	PWG-MEDIUM	Cartridge OCRA strong cation gel resin - Medium	
1762010006	PWG-LARGE	Cartridge OCRA strong cation gel resin - Large	

General characteristics

Quick-connect disposable cartridge for softening (removal of total hardness) of water thanks to the presence of strong cationic gel resin, with a fixed bypass of approx. 25%.

Materials

- Cartridge: polypropylene
- Filtration: strong cationic monospheric gel resin for softening.

Head

"R" head with flow regulator. This type of head is necessary because the chemical reactions of ionic exchange that must take place inside the filter cartridge needs an appropriate time to act. The head must be dimensioned according to the size of the cartridge.

Installation

Upright

Use

Professional sector and industrial water treatment. Sector of steam ovens, sector of coffee machines, sector of equipment for beverage preparation or similar.

Replacement

It's recommended to replace the cartridge at the end of its nominal range, or if the output flow is too slow. However, the cartridge must be replaced within 365 days from its installation. Before removing the cartridge, close the water inlet upstream valve and eliminate the pressure in the circuit by opening the tap. To activate the cartridge correctly, open the inlet valve and dispense water for at least five minutes before taking it for potable uses.

Inactivity

Short periods of inactivity: flushing of the cartridge is necessary; in case of prolonged disuse, it is possible to disinfect the system.

Environment

For the production of Pallas PWG cartridges filters, the environmental impact is close to 0. All Pallas PWG cartridges filters are BPA free.

* Dispose of the exhausted cartridge according to the 2014/955/EU Decision (EWC 15 02 03).



4 °C – 30 °C



2 bar – 6 bar

Dimensions

SMALL Ø 87,4 mm | h 270 mm

MEDIUM Ø 87,4 mm | h 385 mm

LARGE Ø 87,4 mm | h 530 mm

When installing and replacing the filter, consider the space required to remove the cartridge.



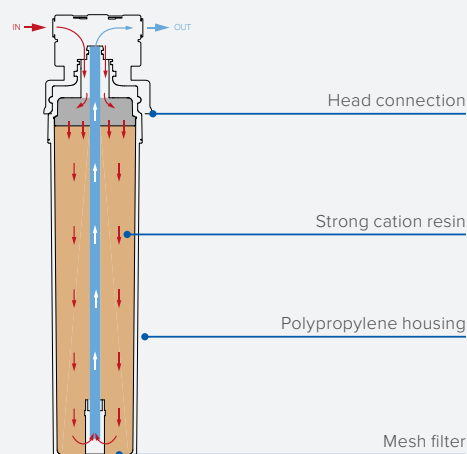
Technical specifications

SMALL flow rate: 1,5 l/min*
capacity: 670 l*

MEDIUM flow rate: 2 l/min*
capacity: 1.100 l*

LARGE flow rate: 2,5 l/min*
capacity: 1.600 l*

* Calculated autonomies with an inlet water hardness of 10 °dKH and a 25% by-pass.
The exchange capacities may vary depending on the hardness of the incoming water and the flow rates.



VIOLET



professional use



beverages



Pallas PWG cartridges

*Temporary hardness
reduction and microfiltration*

Pallas PWG cartridge VIOLET is part of the filtration line dedicated to the removal of temporary hardness. Suitable for hotels, restaurants and coffee bars. PWG VIOLET Limescale protection. Equipped with Carbon Block it also removes odours and off-taste, reduces chlorine and performs a bacteriostatic action. The cartridges has pH control: reduction to around pH of 7.

- + Removes odours and off-tastes
- + Reduces chlorine
- + Guarantees a bacteriostatic action
- + pH control
- + Reduces temporary hardness
- + Protection of plants
- + Efficient against limescale



Cartridges

Reference	Config.	Item Name	Price
1762010007	PWG-SMALL	Cartridge VIOLET weak cation - Small	
1762010007	PWG-MEDIUM	Cartridge VIOLET weak cation - Medium	
1762010007	PWG-LARGE	Cartridge VIOLET weak cation - Large	

General characteristics

Disposable cartridge for the removal of the temporary water hardness, the last phase of filtration is by "PWG Carbon Block" technology with silver ions, filtration 0.5 microns.

Materials

- Cartridge: polypropylene
- Two steps Filtration
 1. Weak cationic resin
 2. Carbon Block technology with silver ions.

Head

"R" head with flow regulator. This type of head is necessary because the chemical reactions of ionic exchange that must take place inside the filter cartridge needs an appropriate time to act. The head must be dimensioned according to the size of the cartridge.

Installation

Standard

Use

Professional and industrial water treatment sector.
Sector of coffee machines if they need a temporary reduction of water hardness, sector of systems for beverage preparation or similar.

Replacement

It's recommended to replace the cartridge at the end of its nominal range, or if the output flow is too slow. However, the cartridge must be replaced within 365 days from its installation. Before removing the cartridge, close the water inlet upstream valve and eliminate the pressure in the circuit by opening the tap. To activate the cartridge correctly, open the inlet valve and dispense water for at least five minutes before taking it for potable uses.

Inactivity

Short periods of inactivity: flushing of the cartridge is necessary; in case of prolonged disuse, it is possible to disinfect the system.

Environment

For the production of Pallas PWG cartridges filters, the environmental impact is close to 0. All Pallas PWG cartridges filters are BPA free.

* Dispose of the exhausted cartridge according to the 2014/955/EU Decision (EWC 15 02 03).



4 °C – 30 °C



2 bar – 6 bar

Dimensions

SMALL Ø 87,4 mm | h 270 mm

MEDIUM Ø 87,4 mm | h 385 mm

LARGE Ø 87,4 mm | h 530 mm

When installing and replacing the filter, consider the space required to remove the cartridge.



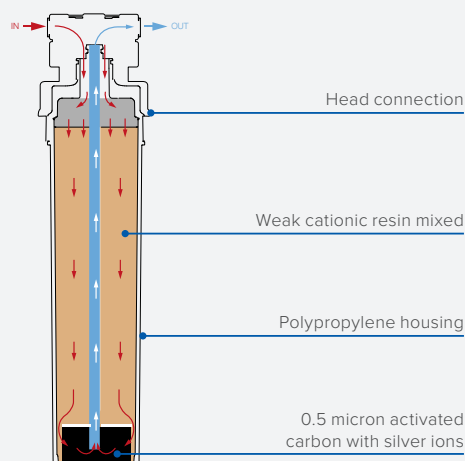
Technical specifications

SMALL flow rate: 1 l/min*
capacity: 700 l*

MEDIUM flow rate: 1,5 l/min*
capacity: 1.100 l*

LARGE flow rate: 2 l/min*
capacity: 1.600 l*

* Exchange capacities may vary based on total hardness concentrations of incoming water and flow rates.
Calculated capacities with an inlet water hardness of 10 °dH.



LILAC



professional use



beverages



Pallas PWG cartridges

Temporary hardness reduction and microfiltration

Pallas PWG cartridge LILAC is part of the filtration line dedicated to the removal of temporary hardness. Suitable for hotels, restaurants and coffee bars. Equipped with the Carbon Block it eliminates odours and off-tastes, reduces chlorine and gives a bacteriostatic action.

- + Removes odours and off-tastes
- + Reduces chlorine
- + pH reduction & no pH control
- + Guarantees a bacteriostatic action
- + Reduces temporary hardness



Cartridges

Reference	Config.	Item Name	Price
1762010012	PWG-SMALL	Cartridge LILAC - Small	
1762010012	PWG-MEDIUM	Cartridge LILAC - Medium	
1762010012	PWG-LARGE	Cartridge LILAC - Large	

General characteristics

Disposable cartridge for the removal of the temporary water hardness, the last phase of filtration is by Carbon Block with silver ions, filtration 0.5 microns.

Materials

- Cartridge: polypropylene;
- Two steps Filtration
 1. Ion exchange resin
 2. Carbon Block with silver ions



4 °C – 30 °C



2 bar – 6 bar

Head

“R” head with flow regulator. This type of head is necessary because the chemical reactions of ionic exchange that must take place inside the filter cartridge needs an appropriate time to act. The head must be dimensioned according to the size of the cartridge.

Installation

Vertical position

Use

It's ideal for use in drink machines, coffee machines, combi-steamers. The cartridge must be used only with cold drinking water.

Replacement

It's recommended to replace the cartridge at the end of its nominal range, or if the output flow is too slow. However, the cartridge must be replaced within 365 days from its installation. Before removing the cartridge, close the water inlet upstream valve and eliminate the pressure in the circuit by opening the tap. To activate the cartridge correctly, open the inlet valve and dispense water for at least five minutes before taking it for potable uses.

Inactivity

Short periods of inactivity: flushing of the cartridge is necessary; in case of prolonged disuse, it is possible to disinfect the system.

Environment

For the production of Pallas PWG cartridges filters, the environmental impact is close to 0. All Pallas PWG cartridges filters are BPA free.

* Dispose of the exhausted cartridge according to the 2014/955/EU Decision (EWC 15 02 03).

Dimensions

SMALL Ø 87,4 mm | h 270 mm

MEDIUM Ø 87,4 mm | h 385 mm

LARGE Ø 87,4 mm | h 530 mm

When installing and replacing the filter, consider the space required to remove the cartridge.



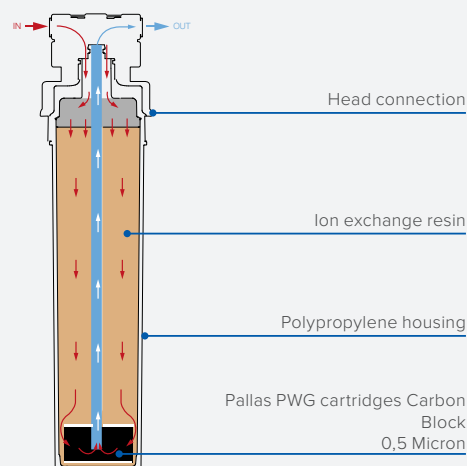
Technical specifications

SMALL flow rate: 1 l/min*
capacity: 800 l*

MEDIUM flow rate: 1,5 l/min*
capacity: 1.250 l*

LARGE flow rate: 2 l/min*
capacity: 1.850 l*

* Capacities may vary based on incoming water and flow rates. Calculated capacities with an inlet water hardness of 10 °dH.



YELLOW



professional use



not drinkable



Pallas PWG cartridges

Total demineralization

Pallas PWG cartridge YELLOW is designed for total demineralized water. The reduction of salinity is total, thanks to the mixed bed resins. It's used to produce demineralized water above all in technical and industrial plants. Drinking use is forbidden.

- + Total demineralization
- + Technical and industrial use
- + Drinking use is forbidden



Cartridges

Reference	Config.	Item Name	Price
1762010005	PWG-SMALL	Cartridge YELLOW mixed bed resin - Small	
1762010005	PWG-MEDIUM	Cartridge YELLOW mixed bed resin - Medium	
1762010005	PWG-LARGE	Cartridge YELLOW mixed bed resin - Large	

General characteristics

Quick-connected disposable cartridge for total demineralization of water, with anionic and cationic exchange resin. Filter for removing total salinity. It is strictly forbidden to drink the water treated with YELLOW cartridges.

Materials

- Cartridge: polypropylene
- Filtration: gel mixed-bed resin for cationic and anionic exchange.

Head

"R" head with flow regulator. This type of head is necessary because the chemical reactions of ionic exchange that must take place inside the filter cartridge needs an appropriate time to act. The head must be dimensioned according to the size of the cartridge.

Installation

Standard

Use

Professional and industrial water treatment systems, technological use such as dental devices.

Replacement

It's recommended to replace the cartridge at the end of its nominal range, or if the output flow is too slow. However, the cartridge must be replaced within 365 days from its installation. Before removing the cartridge, close the water inlet upstream valve and eliminate the pressure in the circuit by opening the tap. To activate the cartridge correctly, open the inlet valve and dispense water for at least five minutes before taking it for potable uses.

Environment

For the production of Pallas PWG cartridges filters, the environmental impact is close to 0. All Pallas PWG cartridges filters are BPA free.

* Dispose of the exhausted cartridge according to the 2014/955/EU Decision (EWC 15 02 03).



4 °C – 30 °C



2 bar – 6 bar

Dimensions

SMALL Ø 87,4 mm | h 270 mm

MEDIUM Ø 87,4 mm | h 385 mm

LARGE Ø 87,4 mm | h 530 mm

When installing and replacing the filter, consider the space required to remove the cartridge.



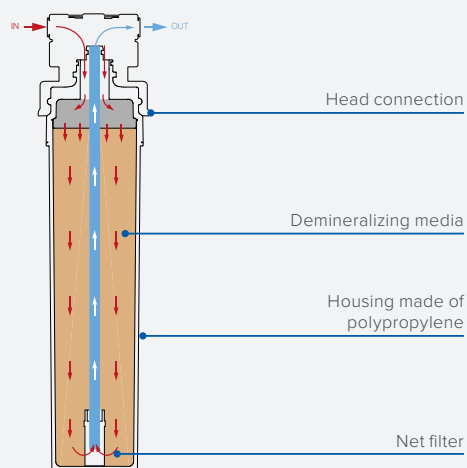
Technical specifications

SMALL flow rate: 1 l/min*
capacity: 250 l*

MEDIUM flow rate: 1,5 l/min*
capacity: 400 l*

LARGE flow rate: 2 l/min*
capacity: 500 l*

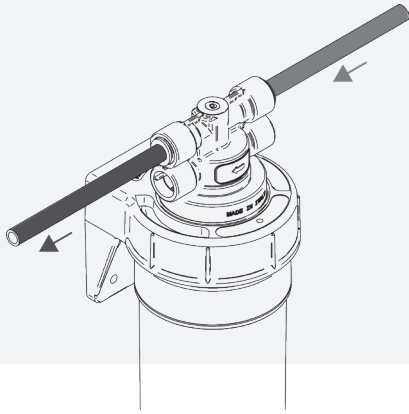
* The exchange capacities may vary depending on the hardness of the incoming water and the flow rates.
Calculated capacities with an inlet water conductivity of 250 µS/cm.



Pallas Cartridges Heads

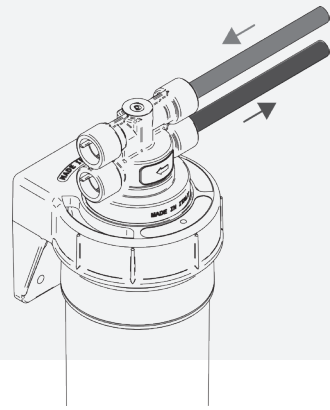
RED · BLUE · SILVER · GOLD	38
NITRATES	39
ARSENIC · VIOLET · LILAC · YELLOW	40
OCRA	41
PFAS	42
ICE	43
ROCK	44

Pallas PWG cartridge Heads Range



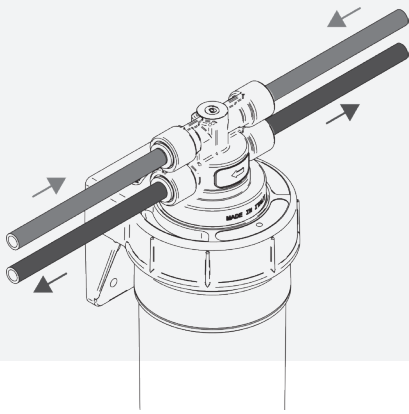
SERIES HEAD

Provides the input and the output from an opposite line and can be used on its own or as a component in treatments combining different types of cartridges for various stages of filtration.



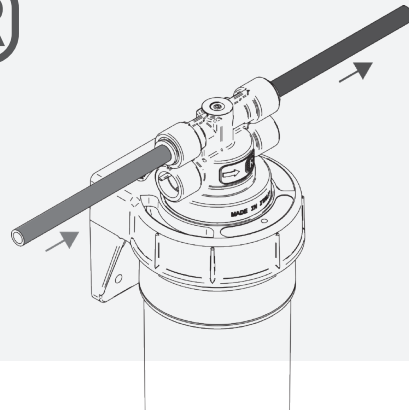
SINGLE HEAD

Provides the input and the output from the same side and can be used on its own or as the final component of a system combining different types of cartridges. It is designed to get more compact during installation.



PARALLEL HEAD

Provides the input and the output in line. It can be used as a on its own or as the final component of a parallel system combining the same type of cartridge in order to increase the autonomy or flow rate.



R HEAD

Provides the input and the output in opposite line and can be used on its own or matched exclusively to cartridges series R. The head has reversible flow and is equipped with flow control and non-return valve.

Pallas PWG cartridge Heads

RED · BLUE · SILVER · GOLD



Series Head

Reference	Item Name	€
1662010007	Head serial flow with wall bracket 1/4"	
1662010004	Head serial flow with wall bracket 3/8"	
1662010010	Head serial flow with wall bracket 8mm	
1662010001	Head serial flow with wall bracket 10mm	



Single Head

Reference	Item Name	€
1662010008	Head single side flow with wall bracket 1/4"	
1662010005	Head single side flow with wall bracket 3/8"	
1662010011	Head single side flow with wall bracket 8mm	
1662010002	Head single side flow with wall bracket 10mm	



Parallel Head

Reference	Item Name	€
1662010009	Head in parallel flow with wall bracket 1/4"	
1662010006	Head in parallel flow with wall bracket 3/8"	
1662010012	Head in parallel flow with wall bracket 8mm	
1662010003	Head in parallel flow with wall bracket 10mm	



Pallas PWG cartridge Heads

NITRATES



R Head

Reference	Item Name	€
SMALL		
1662010013	Head "R" 1 l/m with wall bracket 10mm	
1662010017	Head "R" 1 l/m with wall bracket 3/8"	
1662010021	Head "R" 1 l/m with wall bracket 1/4"	
1662010025	Head "R" 1 l/m with wall bracket 8mm	
MEDIUM		
1662010014	Head "R" 1.5 l/m with wall bracket 10mm	
1662010018	Head "R" 1.5 l/m with wall bracket 3/8"	
1662010022	Head "R" 1.5 l/m with wall bracket 1/4"	
1662010026	Head "R" 1.5 l/m with wall bracket 8mm	
LARGE		
1662010016	Head "R" 2.5 l/m with wall bracket 10mm	
1662010020	Head "R" 2.5 l/m with wall bracket 3/8"	
1662010024	Head "R" 2.5 l/m with wall bracket 1/4"	
1662010028	Head "R" 2.5 l/m with wall bracket 8mm	



Pallas PWG cartridge Heads

ARSENIC · VIOLET · LILAC · YELLOW



R Head

Reference	Item Name	€
SMALL		
1662010013	Head "R" 1 l/m with wall bracket 10mm	
1662010017	Head "R" 1 l/m with wall bracket 3/8"	
1662010021	Head "R" 1 l/m with wall bracket 1/4"	
1662010025	Head "R" 1 l/m with wall bracket 8mm	
MEDIUM		
1662010014	Head "R" 1.5 l/m with wall bracket 10mm	
1662010018	Head "R" 1.5 l/m with wall bracket 3/8"	
1662010022	Head "R" 1.5 l/m with wall bracket 1/4"	
1662010026	Head "R" 1.5 l/m with wall bracket 8mm	
LARGE		
1662010015	Head "R" 2 l/m with wall bracket 10mm	
1662010019	Head "R" 2 l/m with wall bracket 3/8"	
1662010023	Head "R" 2 l/m with wall bracket 1/4"	
1662010027	Head "R" 2 l/m with wall bracket 8mm	



Pallas PWG cartridge Heads

OCRA



R Head

Reference	Item Name	€
SMALL		
1662010014	Head "R" 1.5 l/m with wall bracket 10mm	
1662010018	Head "R" 1.5 l/m with wall bracket 3/8"	
1662010022	Head "R" 1.5 l/m with wall bracket 1/4"	
1662010026	Head "R" 1.5 l/m with wall bracket 8mm	
MEDIUM		
1662010015	Head "R" 2 l/m with wall bracket 10mm	
1662010019	Head "R" 2 l/m with wall bracket 3/8"	
1662010023	Head "R" 2 l/m with wall bracket 1/4"	
1662010027	Head "R" 2 l/m with wall bracket 8mm	
LARGE		
1662010016	Head "R" 2.5 l/m with wall bracket 10mm	
1662010020	Head "R" 2.5 l/m with wall bracket 3/8"	
1662010024	Head "R" 2.5 l/m with wall bracket 1/4"	
1662010028	Head "R" 2.5 l/m with wall bracket 8mm	



Pallas PWG cartridge Heads

PFAS



R Head

Reference	Item Name	€
MEDIUM LARGE		
1662010015	Head "R" 2 l/m with wall bracket 10mm	
1662010019	Head "R" 2 l/m with wall bracket 3/8"	
1662010023	Head "R" 2 l/m with wall bracket 1/4"	
1662010027	Head "R" 2 l/m with wall bracket 8mm	



Pallas PWG cartridge Heads

ICE



R Head

Reference	Item Name	€
SMALL		
1662010014	Head "R" 1.5 l/m with wall bracket 10mm	
1662010018	Head "R" 1.5 l/m with wall bracket 3/8"	
1662010022	Head "R" 1.5 l/m with wall bracket 1/4"	
1662010026	Head "R" 1.5 l/m with wall bracket 8mm	
MEDIUM		
1662010016	Head "R" 2.5 l/m with wall bracket 10mm	
1662010020	Head "R" 2.5 l/m with wall bracket 3/8"	
1662010024	Head "R" 2.5 l/m with wall bracket 1/4"	
1662010028	Head "R" 2.5 l/m with wall bracket 8mm	
LARGE		
1662010031	Head "R" no flow control with bracket 10mm	
1662010030	Head "R" no flow control with bracket 3/8"	
1662010034	Head "R" no flow control with bracket 1/4"	
1662010033	Head "R" no flow control with bracket 8mm	



Pallas PWG cartridge Heads

ROCK



R Head

Reference	Item Name	€
SMALL		
MEDIUM		
LARGE		
1662010031	Head "R" no flow control with bracket 10mm	
1662010030	Head "R" no flow control with bracket 3/8"	
1662010034	Head "R" no flow control with bracket 1/4"	
1662010033	Head "R" no flow control with bracket 8mm	



Pallas[®]
Pollet Water Group

